

## RA Ecosystem Partner Solution

# VK-RA4W1

Arduino® UNO R3 Form Factor compliant



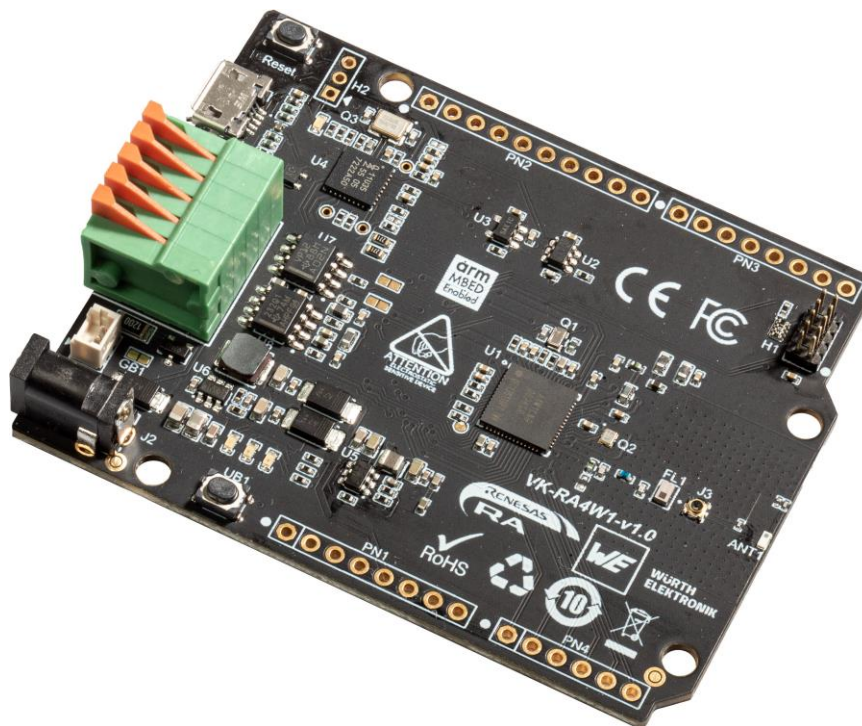
### 1. Solution Summary

**VK-RA4W1** provides better and convenient alternative to Arduino® UNO R3 with great reusability of all available UNO's shields. Excellent solution for all kind of industrial, professional or hobby projects.

### 2. Features/Benefits

- Renesas RA4 ArmCortex®-M4 @ 48MHz
- RAM: 96KB, FLASH: 512KB, BLE Chip Antenna (OnBoard)
- 1x Air Quality (eCO2) Sensor, 1x Humidity + Temperature Sensor
- 1x CAN, 1x RS485, 1(2)x LED(s), 1x Button
- SEGGER J-Link OB Debugger (GDB) / ARM DAPLink (Debugger, Flasher & TTY)

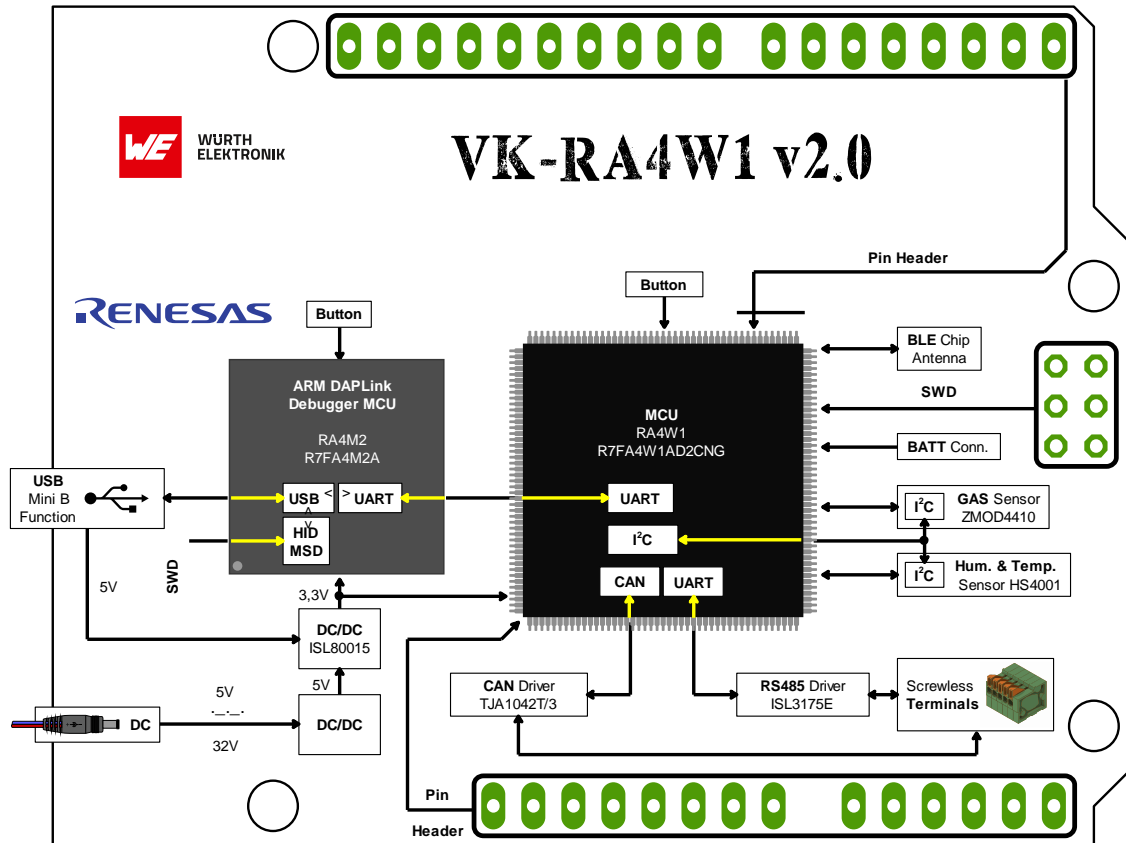
### 3. Graphics



### 4. Target Markets and Applications

- BLE applications
- Industrial Automation
- Ultra-low power applications

## 5. Block Diagram



Learn more:

<https://vekatech.com/products/VK-RA4W1>

Contacts:

Vekatech Ltd.

63, Nestor Abadzhiev str.

4023 Plovdiv

Bulgaria

Tel. +359 (0) 32 262362

Fax. +359 (0) 32 262362

E-Mail: [info@vekatech.com](mailto:info@vekatech.com)

Website: <https://www.vekatech.com>